

Specification

Product Model: JD567M03-AT056TN52 V.3

Driver Board's Version: VER:1.02

LCD Screen's Model: AT056TN52 V.3

Catalogue

Content	2
Version	3
1. Profile	4
2. Main parameter	4
3. Product picture	4
4. Wiring diagram	5-6
5. Connector definition of driver board	6-7
6. Structural diagram	8-9

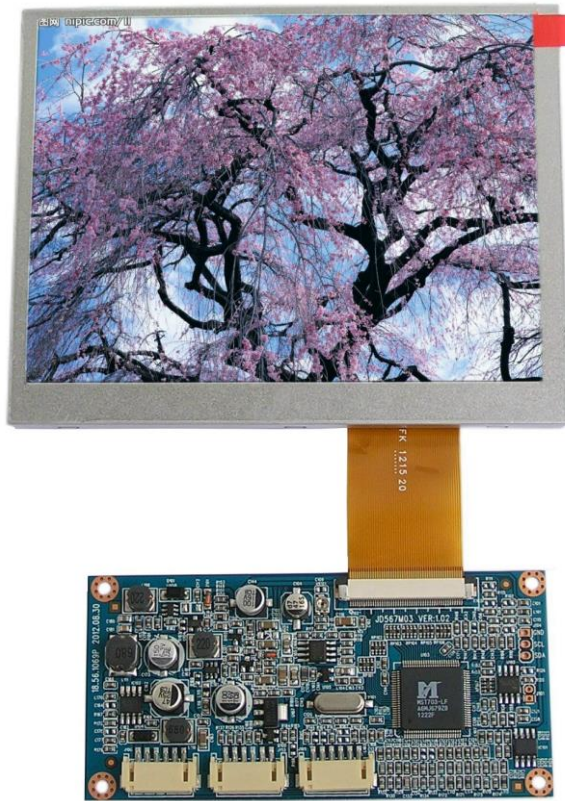
1. Profile:

JD567M03 VER:1.02-AT056TN52 V.3 Color digital module is composed by JD567M03 VER:1.02 driver board and AT056TN52 V.3 LCD panel. It can input CVBS, VGA signal . with PAL and NTSC (auto switch), pushbutton adjustment, OSD menu display, it is main used for video door phone and other display equipments.

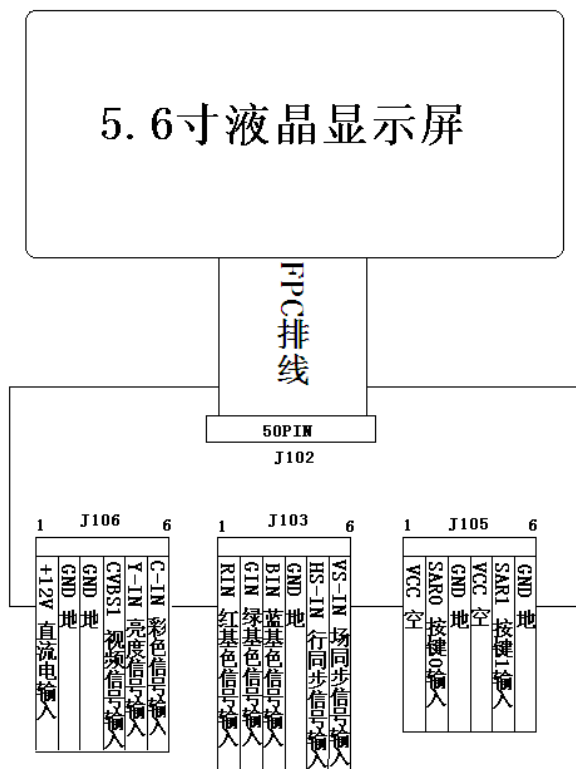
2. Main Parameter:

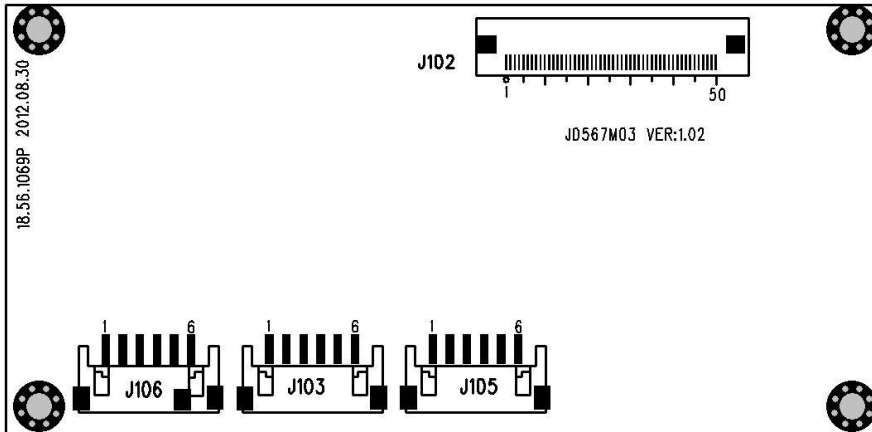
No.	Item	Description	Remarks
1	LCD display size	5.6 inch	
2	LCD aspect ratio	4:3	
3	backlight	LED	
4	Brightness	200±50 cd/m ²	
5	Resolution	640×480 (RGB)	
6	View angle (U, D, L, R)	50/70/70/70	
7	LCD screen dimension	126.5 (W) × 100 (H) × 5.7 (D) mm	
8	Effective display area	112.896 (W) × 84.672 (H) mm	
9	Driver board dimension	102.0 (W)×50.0(H) × 6.8 (D) mm	
10	Working voltage (Power supply ≤0.3VP-P)	Min: DC9V; S: DC12V; Max: DC15V;	
11	Working current (DC 12V power supply)	DC200mA±20mA	
12	Power consume	2.4W (TYP)	
13	Start time	2.5s	
14	Operation temperature	0°C~60°C	
15	Storage temperature	-20°C~70°C	
16	Relative humidity	5~95%RH	

3.Product picture:



4.Wiring Diagram:





5.Connector definition of driver board:

5.1 J106:

Pin No.	Symbol	I/O	Description	Remarks
1	+12VIN	I	DC12V input	
2	GND	-	Ground	
3	GND	-	Ground	
4	VIDEO	I	Video input	
5	Y-IN	I	Brightness input	
6	C-IN	I	Color input	

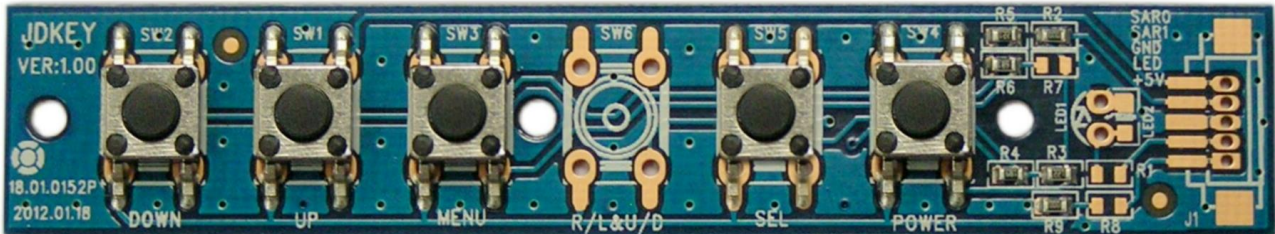
5.2 J103:

Pin No.	Symbol	I/O	Description	Remarks
1	RIN	I	Red primary color signal input	
2	GIN	I	Green primary color signal input	
3	BIN	I	Blue primary color signal input	
4	GND	-	Ground	
5	HS-IN	I	Line sync signal input	
6	VS-IN	I	Field sync signal input	

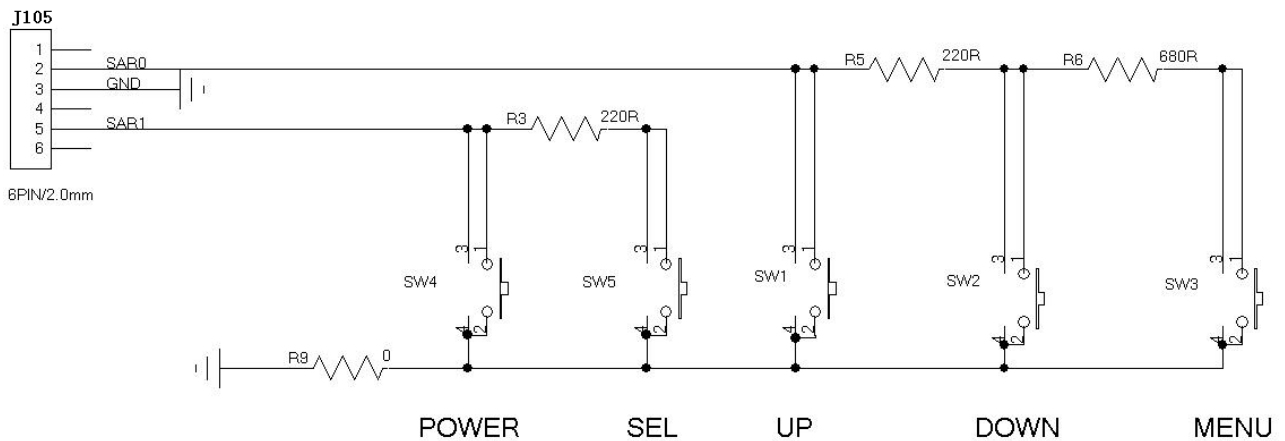
5.3 105:

Pin No.	Symbol	I/O	Description	Remarks
1	VCC		No Connect	
2	SAR0	I	Key-press 0 input	
3	GND	-	Ground	
4	VCC		No connect	
5	SAR1	I	Key-press 1 input	
6	GND	-	Ground	

Pushbutton Board JDKEY VER:1.00:



Pushbutton board connection diagram:



6.2 PCBA dimension:102.0(W)× 50.0 (H) ×6.8(D)mm

